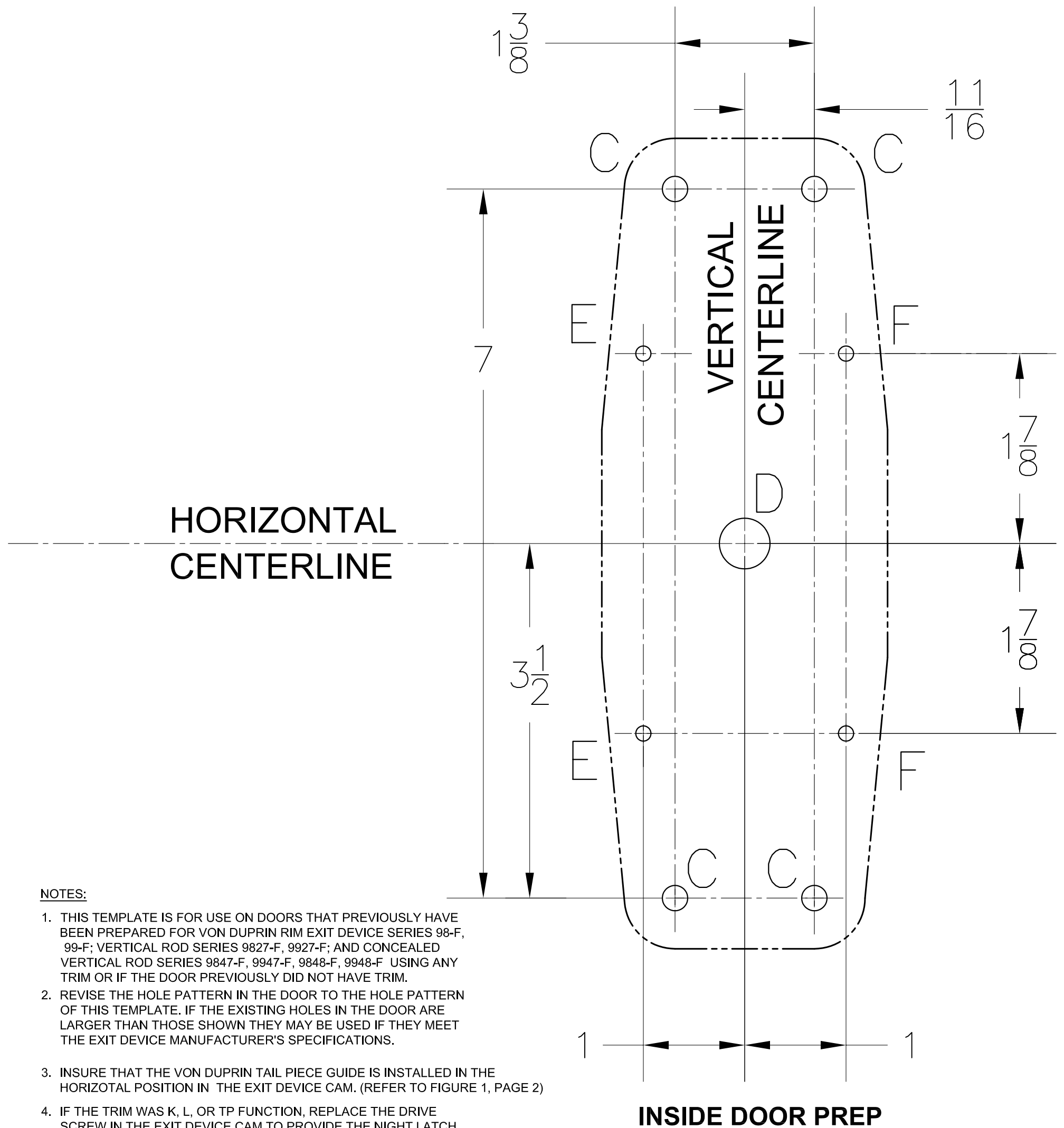


HOLE TABLE			
SCREW	SYMBOL	DESCRIPTION	PAGE
	A	13/32" DIA. x 1-9/16" DEEP 15/32" DIA. C'DRILL x 1/4" DEEP	2
	B	1-7/8" DIA. x 13/16" DEEP	2
#10-24 X 1-1/8" PHMS	C	1/4" DIA.	1
	D	1/2" DIA	1
PER VON DUPRIN INSTRUCTION	E	PER VON DUPRIN INSTRUCTION (LHR DOOR)	1
	F	PER VON DUPRIN INSTRUCTION (RHR DOOR)	1



NOTES:

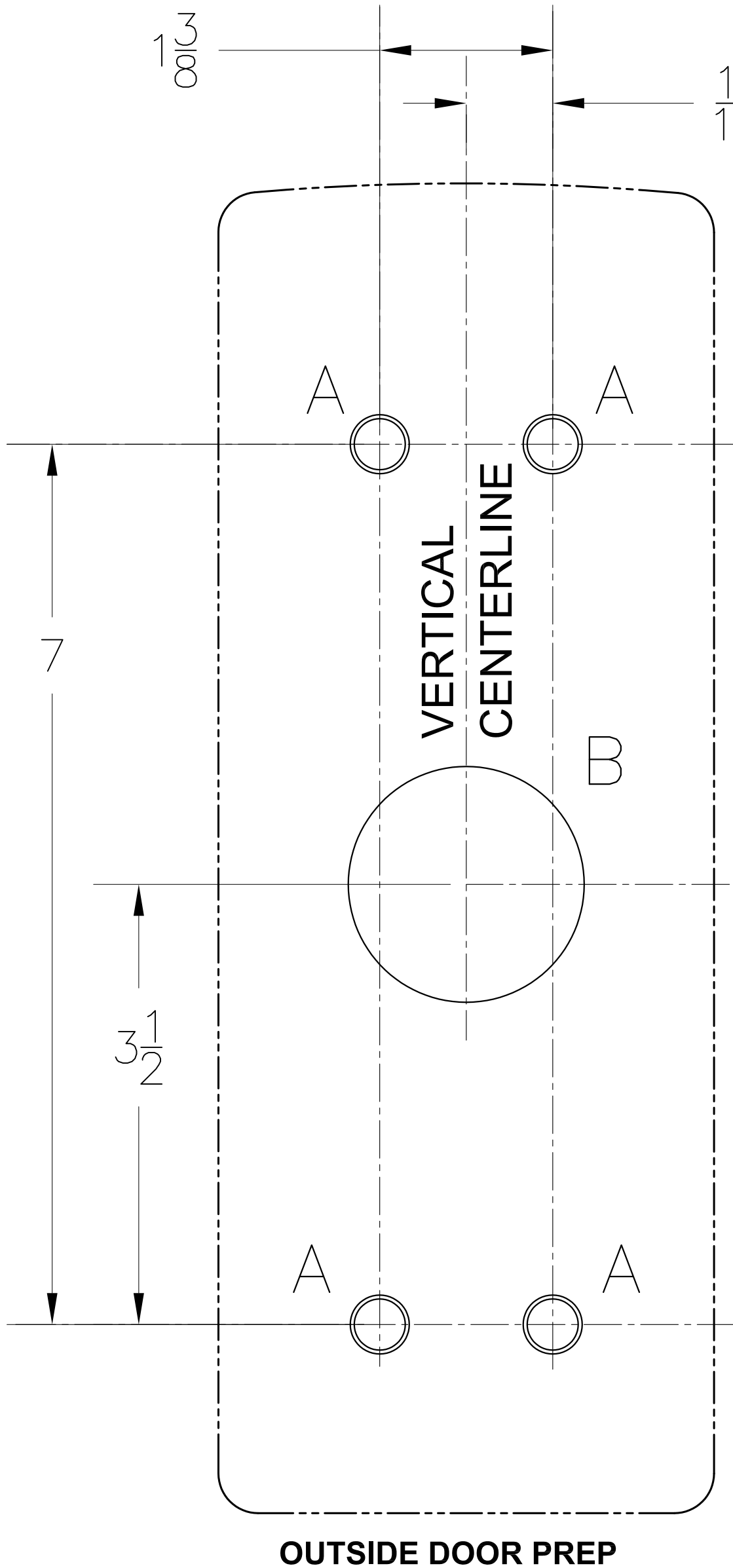
1. THIS TEMPLATE IS FOR USE ON DOORS THAT PREVIOUSLY HAVE BEEN PREPARED FOR VON DUPRIN RIM EXIT DEVICE SERIES 98-F, 99-F; VERTICAL ROD SERIES 9827-F, 9927-F; AND CONCEALED VERTICAL ROD SERIES 9847-F, 9947-F, 9848-F, 9948-F USING ANY TRIM OR IF THE DOOR PREVIOUSLY DID NOT HAVE TRIM.
2. REVISE THE HOLE PATTERN IN THE DOOR TO THE HOLE PATTERN OF THIS TEMPLATE. IF THE EXISTING HOLES IN THE DOOR ARE LARGER THAN THOSE SHOWN THEY MAY BE USED IF THEY MEET THE EXIT DEVICE MANUFACTURER'S SPECIFICATIONS.
3. INSURE THAT THE VON DUPRIN TAIL PIECE GUIDE IS INSTALLED IN THE HORIZONTAL POSITION IN THE EXIT DEVICE CAM. (REFER TO FIGURE 1, PAGE 2)
4. IF THE TRIM WAS K, L, OR TP FUNCTION, REPLACE THE DRIVE SCREW IN THE EXIT DEVICE CAM TO PROVIDE THE NIGHT LATCH FUNCTION. (REFER TO FIGURE 1 PAGE 2).
5. REINSTALL THE EXIT DEVICE ON THE DOOR USING HOLES E OR F AS APPLICABLE AND REINSTALL THE END CAP MOUNTING BRACKET USING THE ORIGINAL HARDWARE.
6. IF YOU ARE REPLACING VON DUPRIN TRIM STYLE 990, 991, 992, 696 OR 697, INCREASE THE SIZE OF THE OUTSIDE HANDLE LOWER MOUNTING HOLE TO 1/2 INCH AND INSTALL THE SPECIAL SNB (SEX BOLT), FINISH WASHER AND #10-24 X 7/8 INCH LONG OVAL SCREW TO FILL THE HOLE.
7. REFER TO THE OMNILOCK QUICK ADAPTER EXIT DEVICE TRIM INSTALLATION INSTRUCTION TO INSTALL THE OMNILOCK TRIM AND SECURE THE EXIT DEVICE TO THE DOOR.

INSIDE DOOR PREP



OSI SECURITY DEVICES

TEMPLATE FOR USE WITH OMNILOCK® QA EXIT TRIM SERIES WHEN REPLACING TRIM FOR VON DUPRIN, MODEL SERIES 98-F, 99-F, 9827-F, 9927-F, 9847-F, 9947-F, 9848-F, 9948-F



OUTSIDE DOOR PREP

HORIZONTAL CENTERLINE

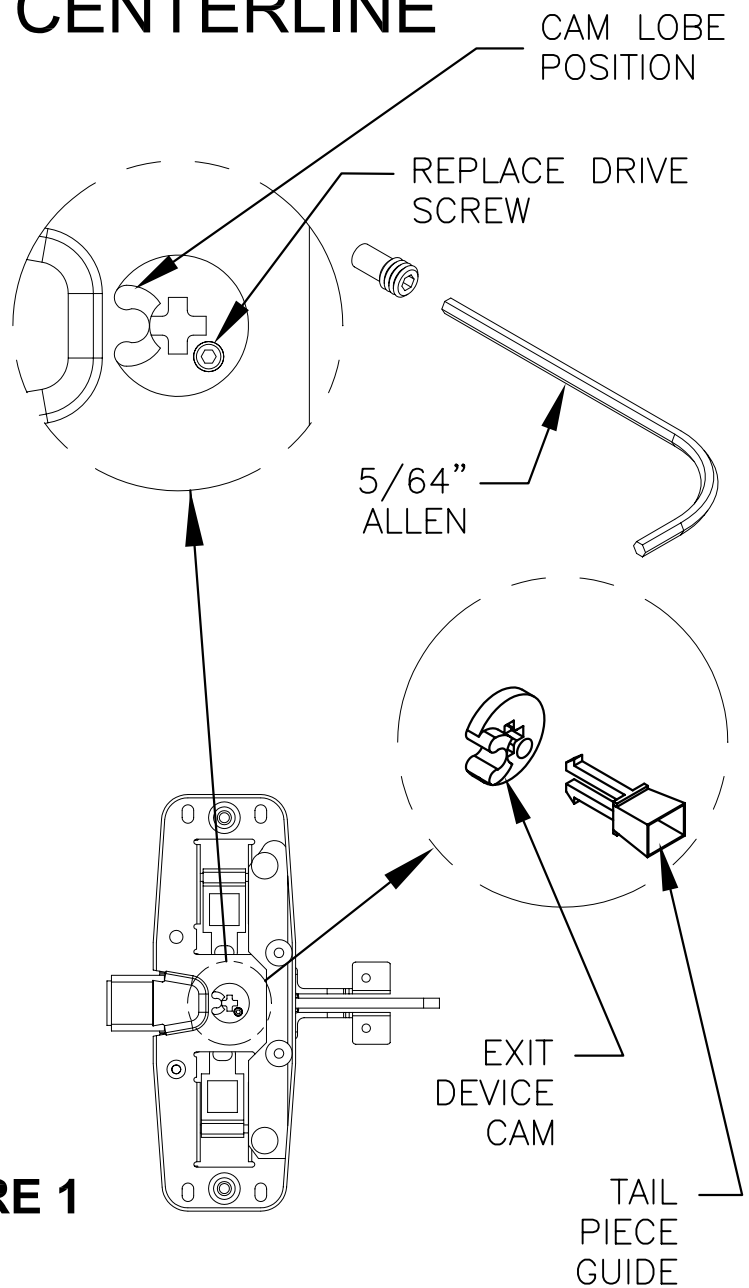


FIGURE 1

REFER TO NOTES ON PAGE 1
 PAGE 2 OF 2
 OSI P/N 11744 REV. B