

CENTER ON DOOR EDGE

FACE PLATE TOP REFERENCE  
MARK DOOR

SEE NOTE 1

MORTISE AND DOOR

1 WIDE X  
6 1/2 HIGH X  
4 3/8 DEEP

MORTISE TO SUIT LOCK FRONT THICKNESS.

HORIZONTAL  
OF LEVER

OF LOCK AND DOOR THICKNESS

CUT LINE

8

CUT LINE

LOW EDGE  
FLAT  
NO BEVEL  
HIGH EDGE

HIGH EDGE  
FLAT (NO BEVEL)  
LOW EDGE

**THRU BOLT HOLES**

DRILL ON NEAR SIDE  
5/16" DIA. X 3/8" DEEP  
(2 PLACES)

15/64

3

BACKSET

1 1/2

8 1/4

1 3/16

19/32

2 3/4

OF LOCK

1 1/2

19/32

2 3/8

**NOTE:**

- 5/32 DIA FOR WOOD DOORS  
#12-24 TAP FOR METAL DOORS  
4 PLACES TOTAL.

**SPINDLE HOLE**

DRILL ON BOTH SIDES  
7/8" DIA.

**ALIGNMENT PIN HOLES**

DRILL ON BOTH SIDES  
3/8" DIA. 2 PLACES

HORIZONTAL  
OF LEVER

MATCH WITH THE HORIZONTAL LINE DRAWN ON THE DOOR.

**THRU BOLT HOLES**

DRILL ON NEAR SIDE  
15/32" DIA. X 1-1/2" DEEP  
(2 PLACES)

FOR INSTITUTIONAL INSTALLATION OF OMNILOCK® OM AND OP SERIES, USING WINFIELD ADB MORTISE LOCKS

**OSI SECURITY DEVICES**

Copyright ©2004 OSI Security Devices Inc.  
OMNILOCK is a registered trademark of OSI Security Devices, Inc.  
WINFIELD is a registered trademark of MASCO.

USE OTHER SIDE OF THIS TEMPLATE FOR MARKING OPPOSITE SIDE OF DOOR.

USE OTHER SIDE OF THIS  
TEMPLATE FOR MARKING  
OPPOSITE SIDE OF DOOR.

LOW EDGE

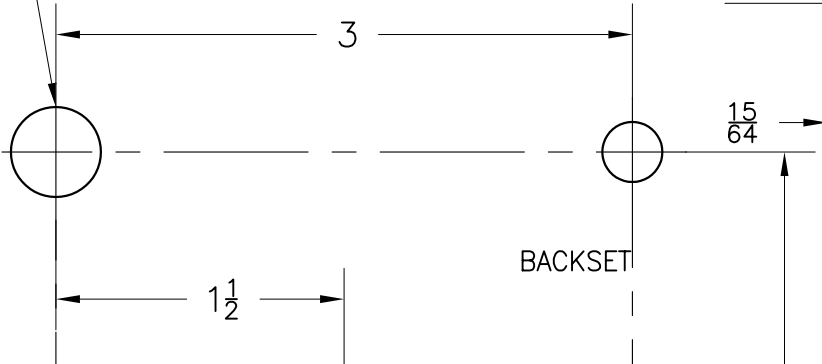
FLAT  
(NO BEVEL)

HIGH EDGE

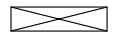
CUT LINE

**THRU BOLT HOLES**

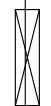
DRILL ON NEAR SIDE  
5/32" DIA. X 1-1/2" DEEP  
(2 PLACES)



RECESS TO FIT  
STRIKE PLATE AND  
STRIKE BOX



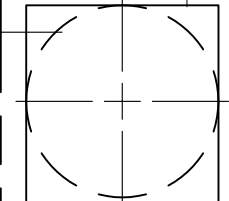
1 17/64



SEE  
NOTE 1



3/8"

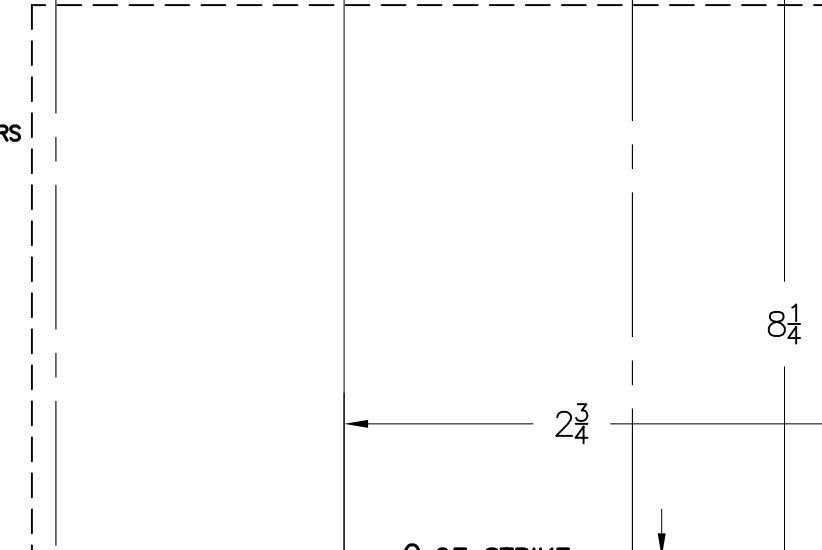


1" DRILL X 1-1/8"  
DEEP 3-21/32"  
HIGH TRIM  
CORNERS

4 57/64

**NOTE:**

- 5/32 DIA FOR WOOD DOORS  
#12-24 TAP FOR METAL DOORS  
4 PLACES TOTAL.



CL OF STRIKE

CL OF LOCK

19/32

1 1/2

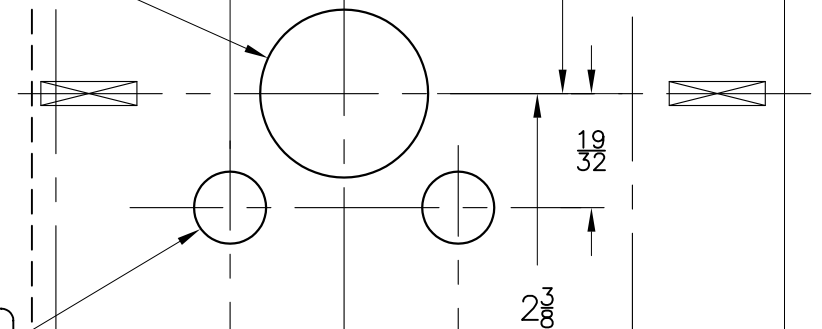
**SPINDLE HOLE**

DRILL ON BOTH SIDES  
7/8" DIA.

**HORIZONTAL CL**

**OF LEVER**

MATCH WITH THE HORIZONTAL  
LINE DRAWN ON THE DOOR.



19/32

2 3/8

19/32

1 3/16

HIGH EDGE

FLAT (NO BEVEL)

LOW EDGE

CUT LINE

**ALIGNMENT PIN HOLES**

DRILL ON BOTH SIDES  
3/8" DIA. 2 PLACES

**THRU BOLT HOLES**

DRILL ON NEAR SIDE  
5/16" DIA. X 3/8" DEEP  
(2 PLACES)

3/16"  
CORRECT LOCATION  
FOR LOWER EDGE  
OF ASA STRIKE LIP  
ABOVE HORIZONTAL  
CL OF LEVER.

3-3/8" CUT-OUT  
ON LEFT OR RIGHT  
FOR CURVED STRIKE LIP

1/8" DEEP  
CL OF LEVER